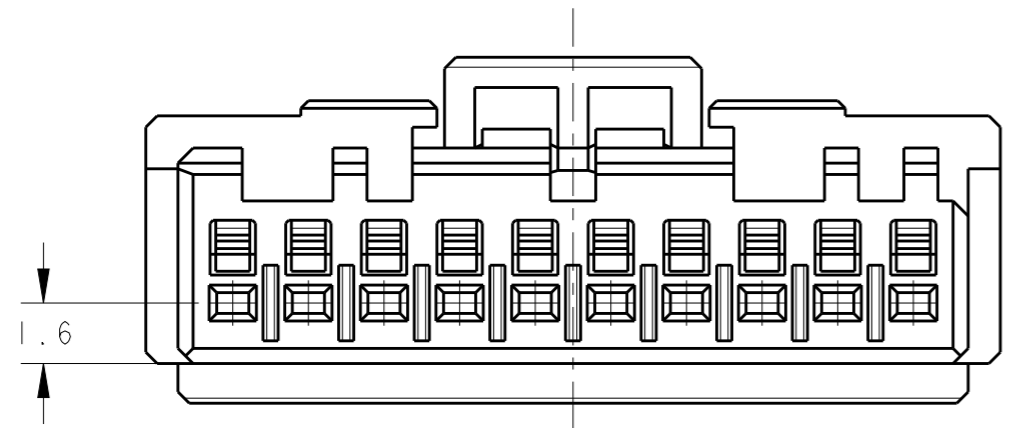
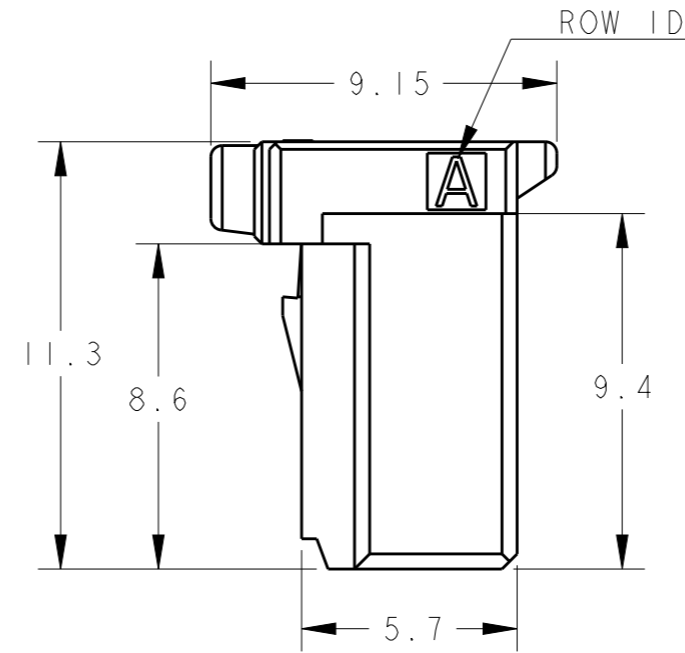
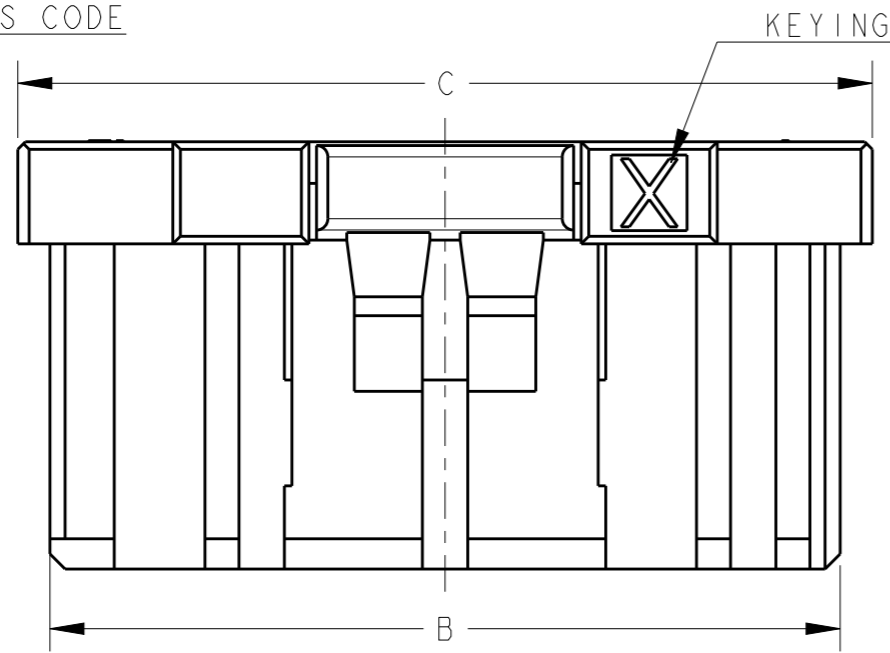
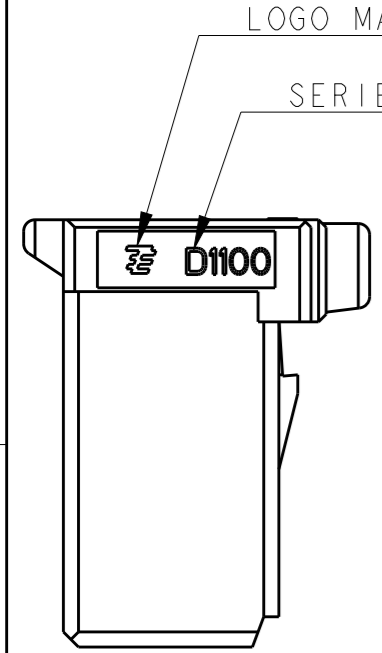
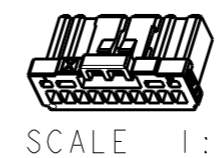
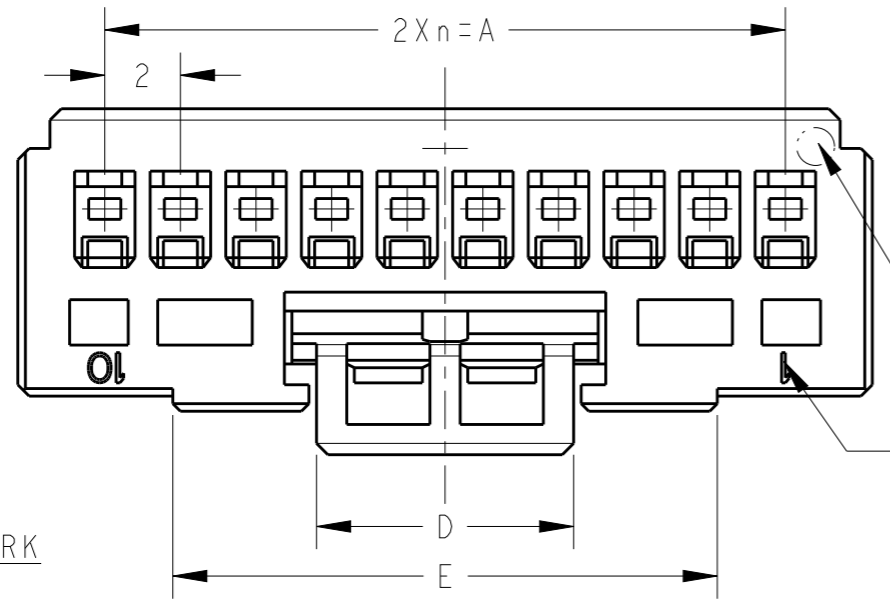


THIS DRAWING IS UNPUBLISHED. RELEASED FOR PUBLICATION 20  
 © COPYRIGHT 20 BY - ALL RIGHTS RESERVED.

REVISIONS					
P	LTR	DESCRIPTION	DATE	DWN	APVD
D		CORRECTION PART REVISION BY SYSTEM ERROR. ECR-15-005366	08APR2015	K.K	N.Y



10POS(X-KEY) : 1-1939758-0

- △. 材料: ガラス入り熱可塑性ポリエステル樹脂(94V-0), 色: 黒
- 2. Y KEY形状は, X KEY形状と左右対称
- 3. 文字の形状, 大きさ, および位置は, 大略を示すものであり詳細を示すものではありません。
- △. MATERIAL: GLASS FILED THERMO PLASTIC POLYESTER(94V-0), COLOR: BLACK
- 2. THE KEYING ARRANGEMENT OF "Y" IS SYMMETRIC WITH "X".
- 3. THE SHAPE, SIZE AND POSITION OF THE CHARACTER SHOW THE OUTLINE. THEY DON'T SHOW DETAILS.

10	Y	9	18.0	20.9	22.6	6.8	14.4	2-1939758-0
10	X	9	18.0	20.9	22.6	6.8	14.4	1-1939758-0
8	Y	7	14.0	16.9	18.6	6.8	14.4	2-1939758-8
8	X	7	14.0	16.9	18.6	6.8	14.4	1-1939758-8
4	Y	3	6.0	8.9	10.6	3.6	-	2-1939758-4
4	X	3	6.0	8.9	10.6	3.6	-	1-1939758-4
POS	KEY	n	A	B	C	D	E	PART NO

THIS DRAWING IS A CONTROLLED DOCUMENT.		DWN M. MAEBASHI 30 JUL 2007	TE Connectivity	
DIMENSIONS: mm		CHK T. KUDO 30 JUL 2007		
TOLERANCES UNLESS OTHERWISE SPECIFIED:		APVD D. MITSUGI 30 JUL 2007	NAME DYNAMIC D1100S 2.0mm PITCH	
0 PLC ±- 1 PLC ±0.3 2 PLC ±- 3 PLC ±- 4 PLC ±- ANGLES ±3°		PRODUCT SPEC 108-78268, 78298	REC HSG 2-10POS	
MATERIAL		APPLICATION SPEC 114-5377	SIZE A3	CAGE CODE -
FINISH		WEIGHT -	DRAWING NO C-1939758	RESTRICTED TO -
		Customer Drawing	SCALE 5:1	SHEET 1 OF 2
				REV D

THIS DRAWING IS UNPUBLISHED.

RELEASED FOR PUBLICATION

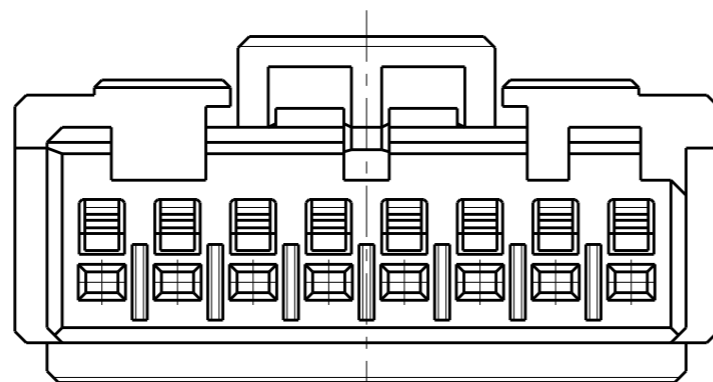
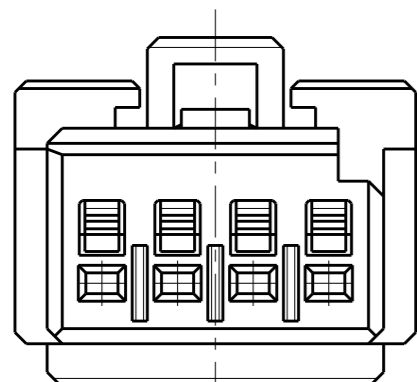
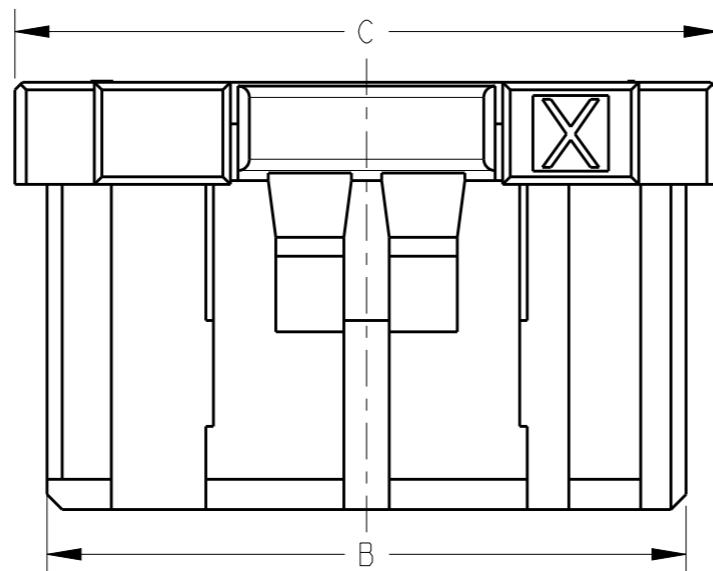
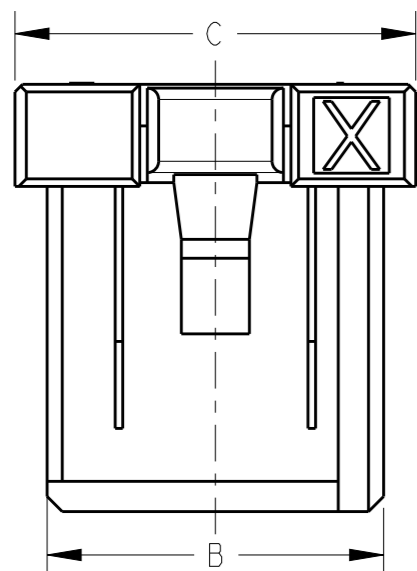
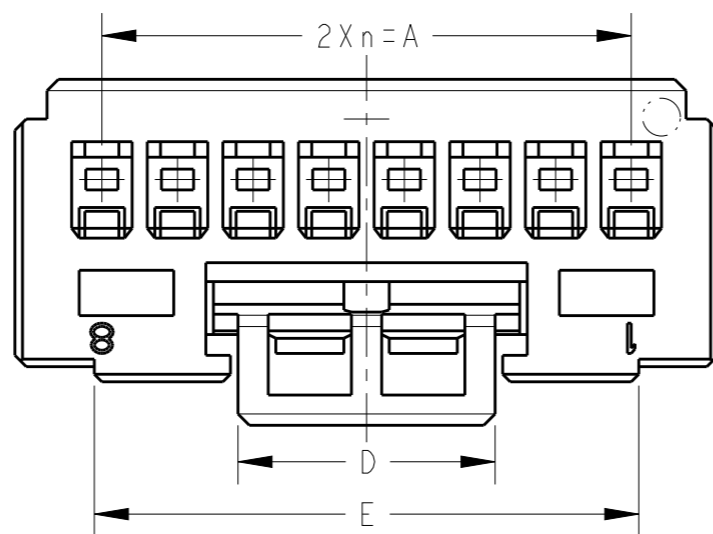
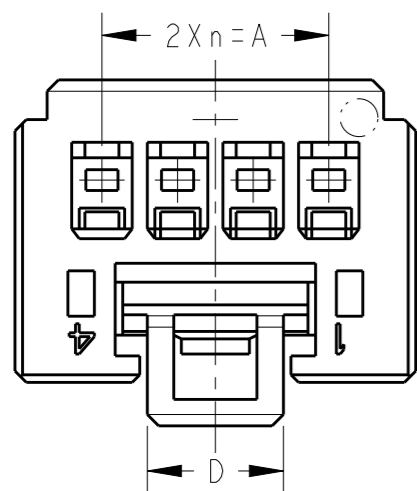
20

© COPYRIGHT 20 BY -

ALL RIGHTS RESERVED.

REVISIONS

P	LTR	DESCRIPTION	DATE	DWN	APVD
-	-	SEE SHEET 1	-	-	-

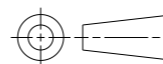


4POS(X-KEY) : 1-1939758-4

8POS(X-KEY) : 1-1939758-8

THIS DRAWING IS A CONTROLLED DOCUMENT.

DIMENSIONS:  
mm



TOLERANCES UNLESS OTHERWISE SPECIFIED:

- 0 PLC ±-
- 1 PLC ±0.3
- 2 PLC ±-
- 3 PLC ±-
- 4 PLC ±-
- ANGLES ±3°
- FINISH -

MATERIAL

-

DWN 30JUL2007

M. MAEBASHI

CHK 30JUL2007

T. KUDO

APVD 30JUL2007

D. MITSUGI

PRODUCT SPEC

108-78268,78298

APPLICATION SPEC

114-5377

WEIGHT

Customer Drawing



TE Connectivity

NAME  
DYNAMIC D1100S 2.0mmPITCH  
REC HSG  
2-10POS

SIZE	CAGE CODE	DRAWING NO	RESTRICTED TO
------	-----------	------------	---------------

A3	-	1939758	-
----	---	---------	---

SCALE	SHEET	OF	REV
5:1	2	2	D